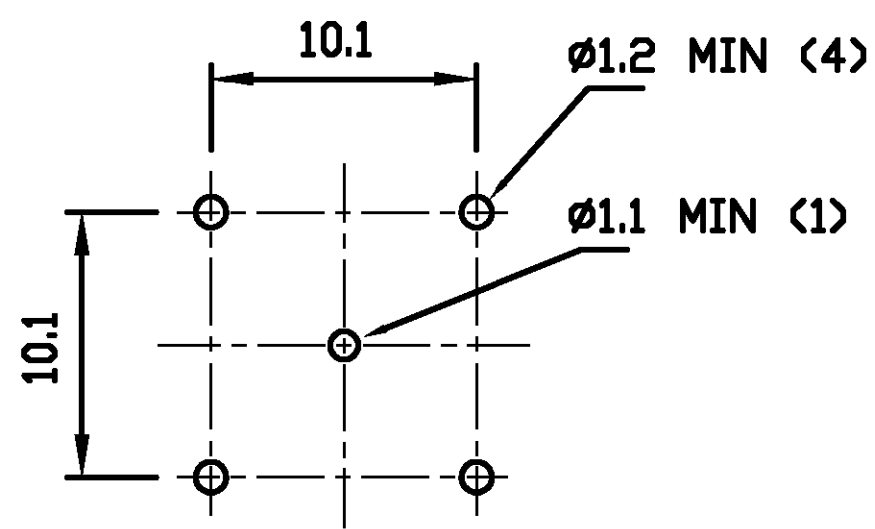
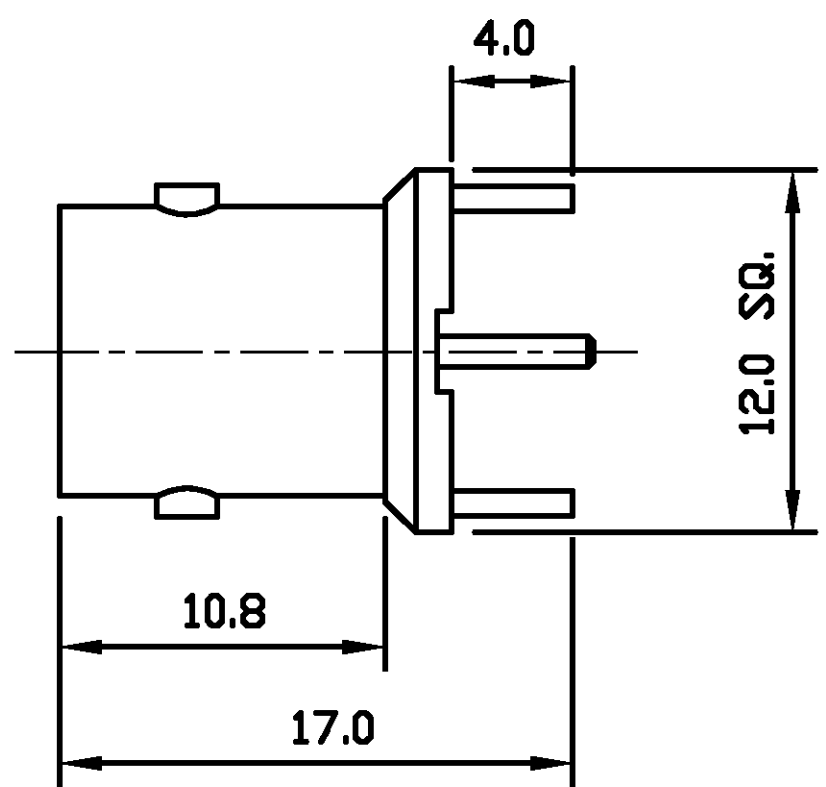


THIS DRAWING IS UNPUBLISHED. RELEASED FOR PUBLICATION 18.12.00, 18.12.00
 © COPYRIGHT 2001 BY TYCO ELECTRONICS CORPORATION. ALL RIGHTS RESERVED.

LOC	DIST	REVISIONS			
P	LTR	DESCRIPTION	DATE	DWN	APVD
E	B	A	RELEASE FOR PRODUCTION	18.12.00	RS RG



MOUNTING HOLE

ALL DIMENSIONS ARE NOMINAL. FOR REFERENCE ONLY.

DIE SET PART NUMBER	N/A
HANDTOOL PART NUMBER	N/A
FOR USE ON CABLES	N/A
CONNECTOR PLATING DETAIL	NICKEL
CONTACT PLATING DETAIL	GOLD
DIELECTRIC MATERIAL	TEFLON
GASKET MATERIAL	N/A

BAG	SINGLE ITEM	1-1478223-0
PACK TYPE	DESCRIPTION	PART NUMBER

THIS DRAWING IS A CONTROLLED DOCUMENT.		DWN R SMITH 18.12.00	Tyco Electronics Corporation Stanmore, Middlesex, HA7 4RS	
DIMENSIONS: MM		CHK R GOODALL 18.12.00	NAME BNC STRT PCB SKT 50 OHM	
TOLERANCES UNLESS OTHERWISE SPECIFIED:		APVD R GOODALL 18.12.00	SIZE A3	
0 PLC ± -		PRODUCT SPEC 108-3435	CAGE CODE 00779	DRAWING NO C-1478223
1 PLC ± -		APPLICATION SPEC	RESTRICTED TO	
2 PLC ± -		WEIGHT -	SCALE NTS	
3 PLC ± -		CUSTOMER DRAWING	SHEET 1 OF 1	
4 PLC ± -			REV A	
ANGLES ± -				
MATERIAL -				
FINISH -				